

MET 1-PHASE CONTROL AND ISOLATION TRANSFORMER

P: 1000VA IN: 400VAC+/- 5% OUT: 230VAC

Single-phase - Control and Isolation Transformers
 1000 VA
 Isolation class T 60/B

[Link to Product](#)**Illustration**

Product may differ from Image

Approvals**Input**

Input voltage	400 V AC $\pm 5\%$
Frequency	50...60 Hz
Short-circuit current	122.5 A (400 V AC)
Input current	2.68 A (400 V AC)
Inrush current	37.36 A (400 V AC)

Output

Output voltage	230 V AC
Output rating	1000 VA

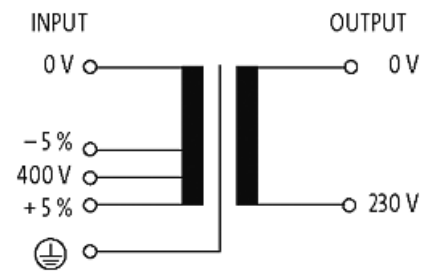
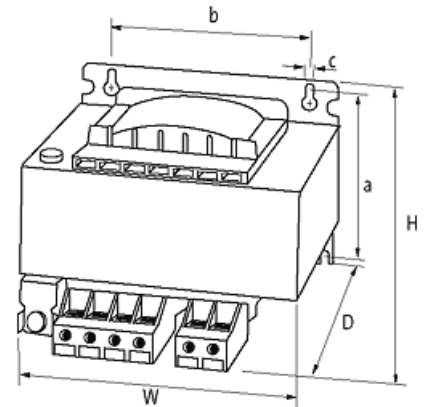
General data

Standards	EN 61558-1, EN 61558-2-4, EN 62041 category 0
Test isolation voltage	4 kV (prim./sec.)
Dimensions H×W×D	138×174×160 mm
Fixing centers a×b×c	111.5×135×7 mm
Drill hole \varnothing	7×11 mm
Mounting method	Key-hole mounting
Temperature range	-20...+60 °C (storage temperature -40...+80 °C)

Commercial data

country of origin	CZ
customs tariff number	85043180
EAN	4048879078894
eClass	27031302
Packaging unit	1

Sketch



Product may differ from Image